

Infinity<sup>®</sup>

---

*Kappa Video*

*High-Performance Loudspeaker  
For Center Channel Or Surround Sound*

# INTRODUCTION

**FOR CENTER CHANNEL  
OR SURROUND SOUND...**

The Infinity Kappa Video Speaker is a high-performance center channel or surround sound loudspeaker, which also functions as an ideal rear channel or side channel speaker. When used as part of an audio/video home entertainment system, the Kappa Video Speaker will provide you with a panorama of sound and depth to accurately recreate the cinema experience in your home. Whether you are installing a brand-new, state-of-the-art audio/video home entertainment system or upgrading your current system, you have purchased the ideal component that will provide countless years of listening enjoyment.

**MATCHED COMPONENTS...**

The Infinity Kappa Video Speaker reproduces sound from specific home theater channels – center or surround – via a matched array of components for maximum performance. The dual IMG™ Injection Molded Graphite Woofers reproduce low frequencies with accurate timbre and dynamic impact, and an EMIT-R™ Electromagnetic Induction Tweeter, with its circular, planar design, creates high frequencies that come alive with wide dispersion and superb resolution. A circuit breaker automatically protects the tweeter against accidental overload.

**VERSATILE DESIGN...**

The contoured oak veneer cabinet is both beautiful and versatile. It can be positioned upright or on its side, on a shelf, or in a corner. The enclosure is magnetically shielded, so you can place an Infinity Kappa Video Speaker on or next to a television without causing distortion of the picture. For wall or ceiling installations, threaded inserts allow you to easily fasten an optional OmniMount® Systems Mounting Bracket on the back of the Infinity Kappa Video Speaker. For center channel applications, an Angle Adjustment Bar allows you to precisely aim critical center channel sound at your viewing audience.

**ABOUT THIS MANUAL...**

Please read the remaining pages before connecting and operating the Infinity Kappa Video Speaker. Maximum performance is dependent on following the instructions given for a particular application, as well as those listed in the owner's manuals of associated components in your system. Save these instructions for future reference. The Infinity Kappa Video Speaker has a limited five year warranty, so save the bill of sale to protect your purchase and aid in any service-related questions.

## UNPACKING

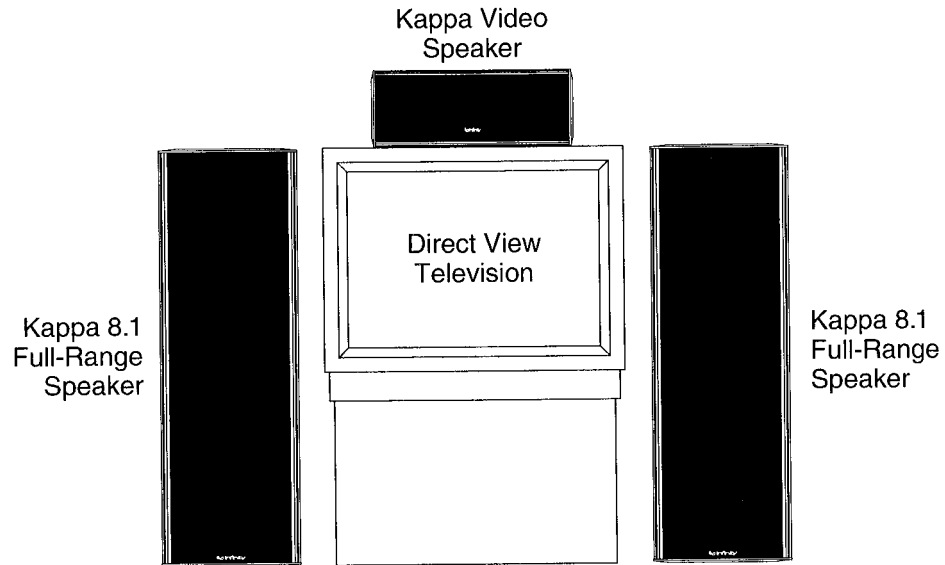
1. Carefully unpack the speaker. If you suspect damage from transit, report it immediately to your dealer and/or delivery service. Keep the shipping cartons and packing materials for future use.
2. Verify that the package includes the following items:
  - ◆ Kappa Video Speaker and Grille Assembly
  - ◆ Infinity Logo
  - ◆ Four Self-Adhesive Rubber Feet

# PLANNING YOUR SYSTEM

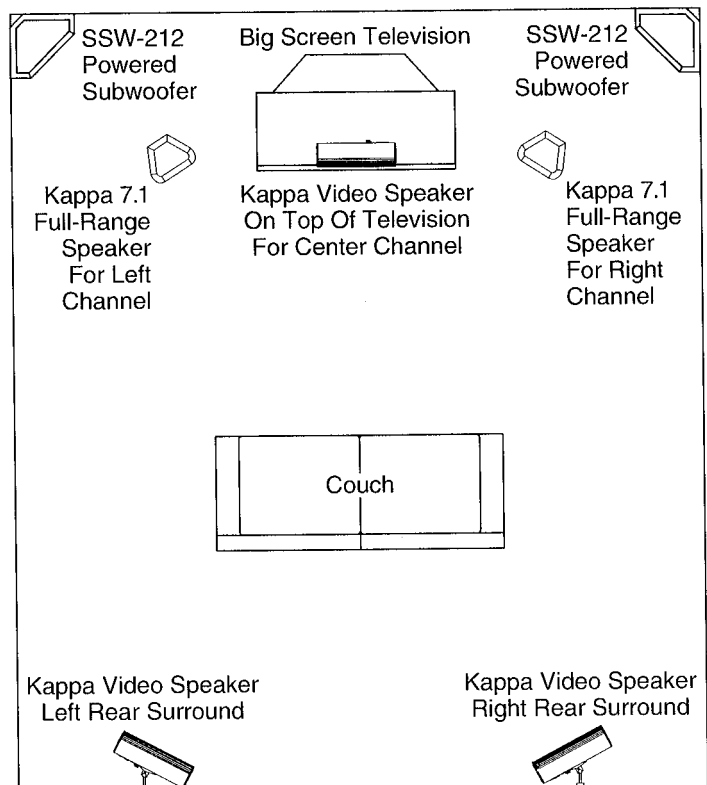
The Infinity Kappa Video Speaker is a specific component for your home entertainment system. Depending on the application, the speaker can be used as a dedicated center channel, rear, or side-effects speaker in a home entertainment audio/video system.

To help plan your system, we've included two applications, as shown in Figures 1 and 2. Study these drawings and the placement suggestions that best suit your needs.

*Figure 1. In a direct-view system, a Kappa Video Speaker used for Center channel reproduction is placed on top of the television. Full-range speakers, like the Kappa 8.1's, reproduce Left and Right channels.*



*Figure 2. In this overhead view of a typical home entertainment system, two Kappa 7.1 Full-Range Speakers are used for the front Left / Right channels, and three Kappa Video Speakers are used for the front Center and rear Surround channels. A pair of SSW-212 Powered Subwoofers (in the corners) reproduce low bass. Existing full-range speakers may be substituted for the front Left / Right channels.*



# PLACEMENT

## CENTER PLACEMENT

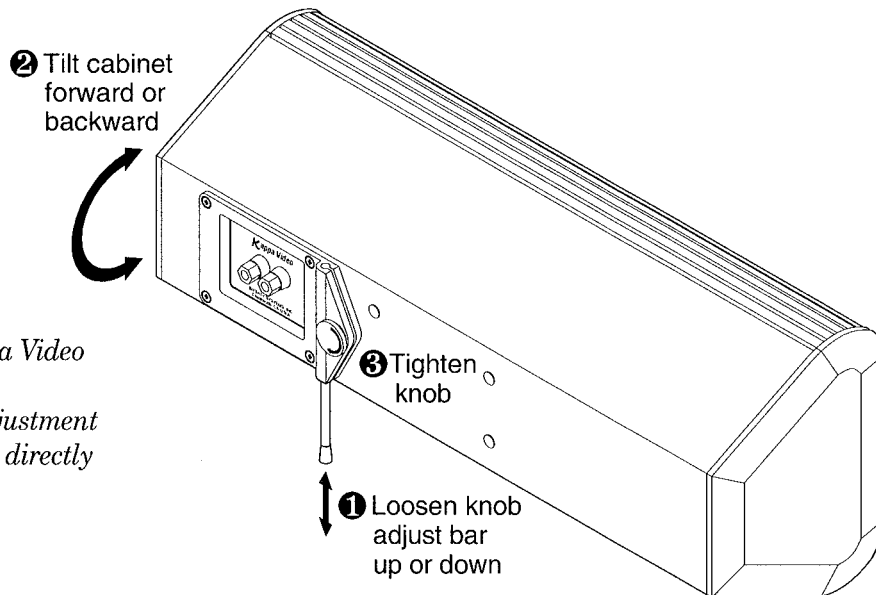
For center channel applications (refer to Figure 1), place the Kappa Video Speaker on top of a television. Make sure the speaker faces toward the viewing audience. Or, the speaker can also be mounted on a wall or ceiling above or beside the television using an optional OmniMount Systems Mounting Bracket. For high-end home theater systems, two speakers may be utilized, placing one on top and one below the television or one on either side of the unit to create precise center channel localization.

## INSTALL RUBBER FEET

Rubber feet (packed separately) are included for placing speakers on furniture. After selecting a placement location, install self-adhesive rubber feet in each corner of the bottom side of the Infinity Kappa Video Speaker.

## SET ADJUSTMENT BAR

When placing a speaker on top of a television, locate the Adjustment Bar (on the rear of the speaker) and adjust it so the speaker array fires directly at the audience, as shown in Figure 3. This will ensure that center channel sound accurately reaches the audience. To prevent an accidental fall, keep the speaker at least one inch back from the front edge of the set.

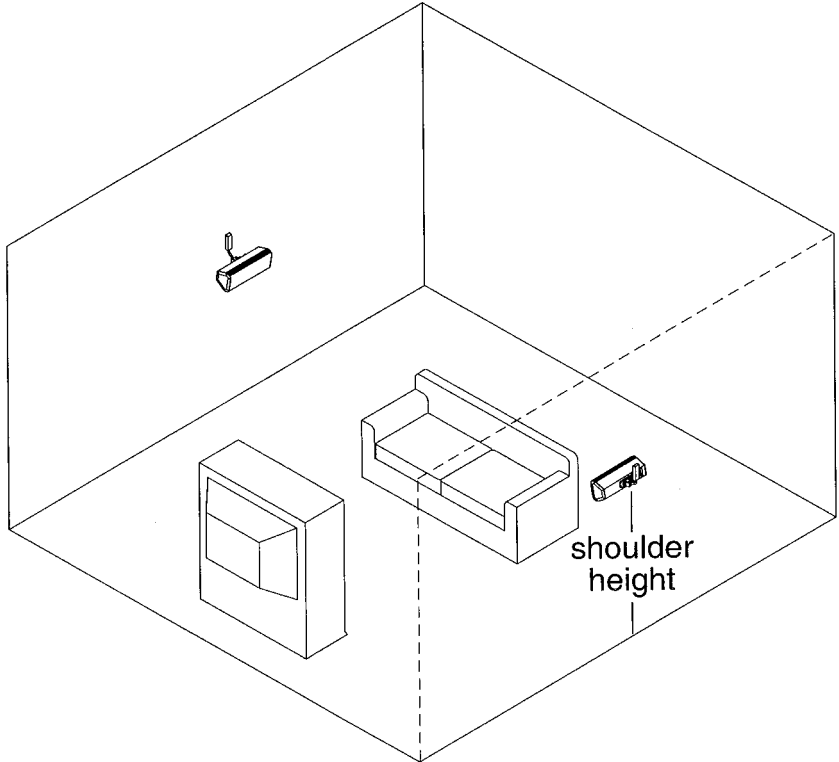


*Figure 3. When using a Kappa Video Speaker for center channel reproduction, position the Adjustment Bar so the speaker array fires directly at the audience.*

## SIDE PLACEMENT

For side channel applications, place a pair of Kappa Video Speakers on either side of the listener. To optimize the “wrap-around” effect of Surround Sound, position the speakers horizontally above and slightly forward of the listener and angled down to direct the sound coming from above, as shown in Figure 4 (on the next page). You may place the speakers on furniture or shelves, but please remember, for optimal results position them at or above shoulder height while sitting.

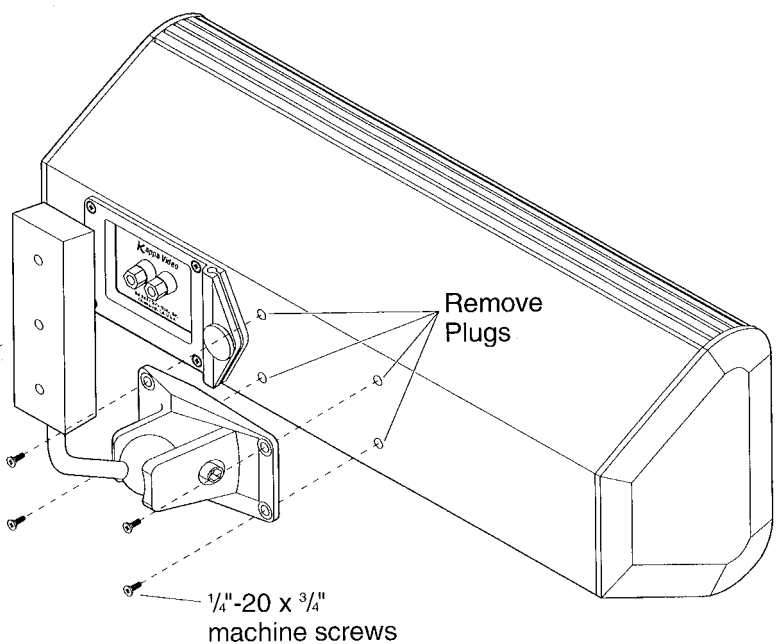
Figure 4. For side channel applications, place the Kappa Video Speakers above shoulder height and slightly forward of the seated audience. Tilt the speakers down to direct the sound at listeners.



**REAR PLACEMENT**

For rear channel applications, place a pair of Kappa Video Speakers behind and above either side of the viewing audience (see Figure 2 on page 3). The idea is to create a diffuse soundfield that enhances sound coming from the front channels. Experiment with different placement to find the most pleasing effect. Use speaker stands, or for wall or ceiling installations, obtain OmniMount Systems Mounting Brackets that attach via convenient threaded inserts on the back of each cabinet, as shown in Figure 5. See your authorized Infinity dealer, or contact the Infinity Customer Service Department at (818) 407-0228 for further information on the availability of these brackets (Model 75WA for wall mounting, Model 75CA for ceiling mounting).

Figure 5. The Kappa Video Speaker has four embedded screw thread inserts for easy wall or ceiling mounting via an OmniMount Systems Mounting Bracket (see your dealer). Follow the instructions packed with the OmniMount product to correctly install each assembly and make sure only wall studs or ceiling joists are used as mounting locations.



Optional OmniMount Systems Mounting Bracket (Model 75WA for wall mounting, Model 75CA for ceiling mounting – see your authorized Infinity dealer)

# WIRING THE SYSTEM

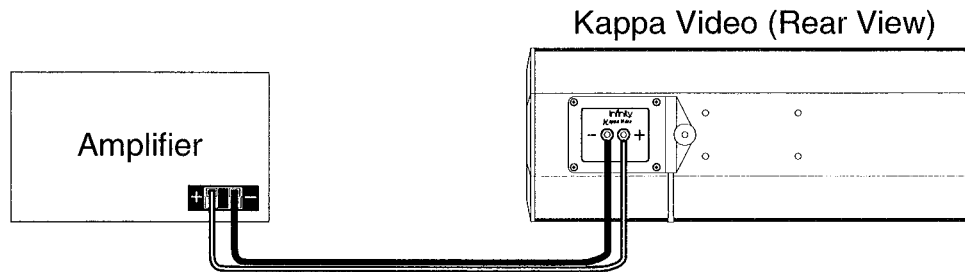
After placing the speakers, you are ready to wire your system. First turn off all audio system power. Use high-quality speaker wire to make your connections. Consult the owner's manuals that were included with your amplifier, receiver, or television to confirm connection procedures.

The Kappa Video Speaker has gold-plated terminals that accept a variety of wire connectors. Observe polarities when making speaker connections, as shown in Figure 6. Connect each + terminal on the back of the amplifier, receiver, or television to the respective + (red) terminal on each Kappa Video Speaker. Similarly, connect the - (black) terminal in the same way.

## IMPORTANT!

*Do not reverse polarities (i.e., + to - or - to +) when making connections. Doing so will cause poor imaging and diminished bass response.*

*Figure 6. Observe polarity markings when connecting a Kappa Video Speaker to an amplifier or receiver.*



## INSTALLING THE INFINITY LOGO

To properly display your new Kappa Video Speaker, an attractive Infinity logo is packed within the plastic bag which accompanies your speaker. Depending on the speaker's placement, use the built-in mounting tabs to install the logo vertically or horizontally on the grille, as shown in Figure 7 (next page).

Peer through the grille cloth to locate a desired mounting tab with two embedded mounting holes. Lay the grille on a flat surface, align the logo's pins to the mounting holes and carefully press the logo into the mounting tab. Then position the grille frame onto the speaker cabinet.

## IMPORTANT!

*Make sure your placement choice is correct. Pressing the Infinity logo into a mounting tab will pierce the grille cloth.*

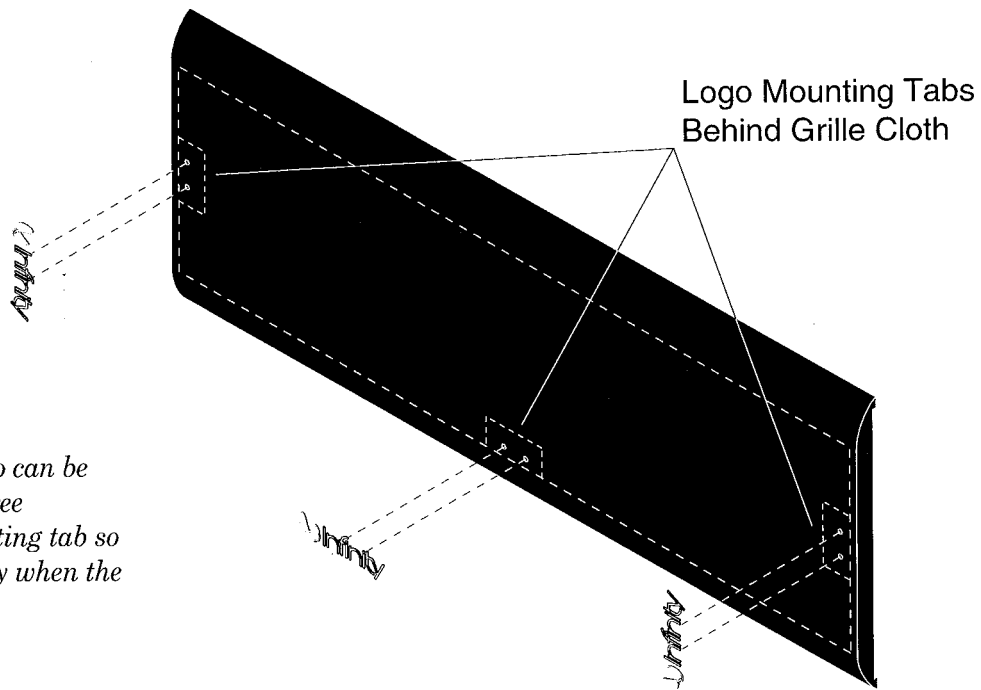


Figure 7. The Infinity logo can be mounted in any one of three locations. Choose a mounting tab so the logo will read correctly when the grille is on the cabinet.

## ASSOCIATED COMPONENTS

The choice of associated components in your system is critical and should be made with great care. Here are several suggestions:

- ◆ Use the Kappa Video Speaker with amplifiers rated between 25 to 150 watts RMS per channel.
- ◆ Never operate your system with the bass, treble and loudness controls set to full boost. This will place undue strain on the speakers, as well as the amplifier.
- ◆ Always turn down the volume control when changing a laserdisc, CD, record or tape, or switching to AM or FM operation. Excessively loud transients (clicks or popping sounds) can damage the speakers.
- ◆ Whenever changing cables, pulling plugs, etc., always turn off all equipment to prevent transients from entering the speakers. It is always worthwhile discussing proper speaker connection and component selection with your dealer prior to setting up your system.
- ◆ Infinity makes a full line of Kappa Speakers and high-performance subwoofers to complement your new Kappa Video Speaker purchase. Review the following list (on the next page) to see which models fit your needs and then visit your authorized Infinity dealer for specific recommendations.

MODEL	APPLICATIONS
Kappa 8.1	Full range four-way speaker with 12-inch IMG woofer; use for front left/right home entertainment channels
Kappa 7.1	Full range three-way speaker with 10-inch IMG woofer; use for front left/right home entertainment channels
Kappa 6.1	Full range three-way speaker with 8-inch IMG woofer; use for front left/right home entertainment channels
Kappa 5.1	Full range three-way speaker with dual 6½-inch IMG woofers; use for front left/right home entertainment channels
SSW-212	Dual 12-inch Servo Powered Subwoofer for extended bass performance in large rooms
SSW-210	Dual 10-inch Servo Powered Subwoofer for extended bass performance in medium rooms
SSW-10	Single 10-inch Servo Powered Subwoofer for extended bass performance in medium or small rooms

## CARE OF YOUR SPEAKER SYSTEM

The speaker cabinet has an oak veneer finish that requires very little care. When needed, use a good quality wood care product to maintain its original luster. If using an aerosol product, spray the cloth, not the cabinet. Clean the grille by gentle vacuuming.

## TROUBLESHOOTING

The Kappa Video Speaker has an internal self-resetting circuit breaker that automatically protects the tweeter from overpowered conditions. If this occurs, turn off the audio system power, lower the volume and tone control settings, and then restore power to the system. If the condition persists when power is on, consult your dealer or the Infinity Customer Service department.



# LIMITED FIVE YEAR WARRANTY

## ***Who is protected by the warranty?***

Your Infinity warranty protects the original retail purchaser and all subsequent owners for a period of five (5) years (parts and labor) from any failure as a result of an original manufacturing defect so long as: (1) your Infinity loudspeakers were purchased within the fifty states of the U.S.A. or by military personnel from an authorized military outlet and (2) the original dated bill of sale is presented whenever service is required during the warranty period. This warranty does not apply to products purchased elsewhere; other purchasers should contact their local Infinity distributor for warranty information.

## ***What does the Infinity warranty cover?***

Except as specified below, this warranty covers all defects in original materials and workmanship. The following are not covered: damage caused by accident, misuse, abuse, neglect, product modification; damage occurring during shipment, damage caused by failure to follow instructions in the owner's manual, including failure to perform recommended periodic or routine maintenance; damage resulting from repairs by someone not authorized by Infinity; claims based upon any misrepresentations by the sellers; and any Infinity product on which the serial number has been altered, defaced or removed.

## ***Who pays for what?***

During the period of this warranty, subject to the above conditions, Infinity will pay all of the labor and material expenses to repair a warrantable defect.

## ***How can warranty service be obtained?***

In the event that your loudspeaker(s) should require service, you should first contact the Infinity dealer from whom the product was purchased or, if this is not practical, contact Customer Service in writing at:

Infinity Systems, Inc., 9409 Owensmouth Avenue, Chatsworth, CA 91311 USA

or by calling us at (818) 407-0228 (FAX: 818-709-7496)

We may direct you to an authorized service center for Infinity product or ask you to send them to us for repair. In either case you will have to present your original dated bill of sale to establish warranty coverage. Do not send your speaker(s) to us without prior authorization from our Customer Service department.

You are responsible for transporting your product to either Infinity or an authorized service center and for payment of all shipping charges; however, Infinity will pay the return shipping charges (in the event you return the product to us) if the repairs are covered by the warranty. If you experience difficulty in transporting your product or are in need of packing materials, please advise us and we may be able to suggest alternative procedures and/or adequate packaging materials.

**LIMITATION OF IMPLIED WARRANTIES:** All implied warranties, including fitness for a particular purpose and merchantability are limited in duration to the length of the warranty period for your product.

**LIMITATION OF INCIDENTAL OR CONSEQUENTIAL DAMAGES:** Infinity is not responsible for an incidental or consequential damage of any kind. Our liability is limited to the repair or replacement, at our option, of a defective product.

Some states do not allow limitations on how long an implied warranty lasts and/or do not allow the exclusion of incidental or consequential damages, so the above limitations or exclusions may not apply to you. This warranty gives you specific legal rights and you may also have other rights which vary from state to state.

***NOTE: In the event that there is a difference between this warranty and the provisions in any advertisements, product brochure or packaging cartons, the terms of this warranty will prevail.***

Infinity constantly strives to update and improve existing products, as well as create new ones. Therefore the specifications and construction details in this and related Infinity publications are subject to change without notice.

© 1992 Infinity Systems Inc., 9409 Owensmouth Avenue, Chatsworth, CA 91311 USA  
(818) 407-0228 • FAX (818) 709-9486

Infinity is a registered trademark of Infinity Systems, Inc. EMIT-R and IMG are trademarks of Infinity Systems, Inc. OmniMount is a registered trademark of OmniMount Systems.